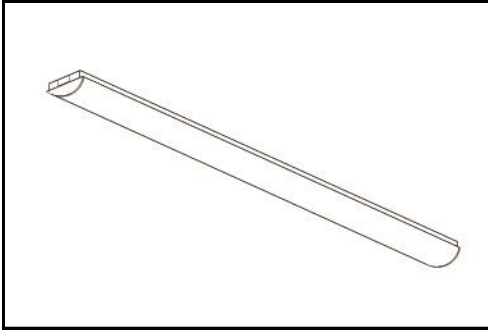
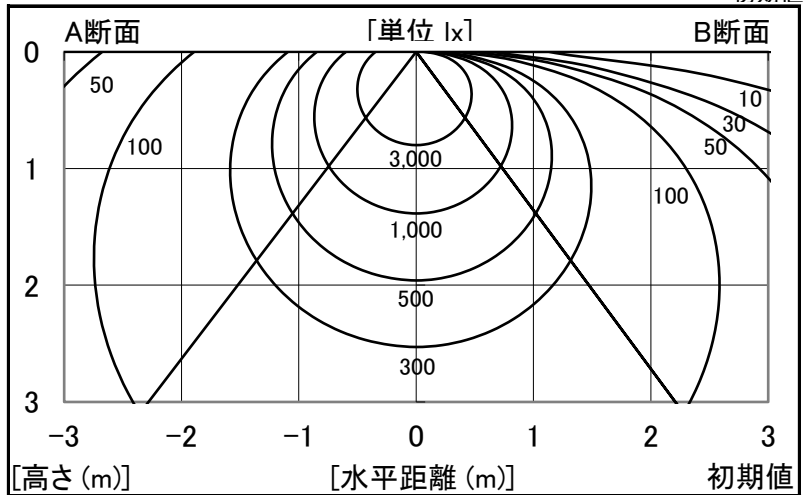


シャープ製LED照明器具 配光データシート 形名 DL-MR400N+DL-M600L

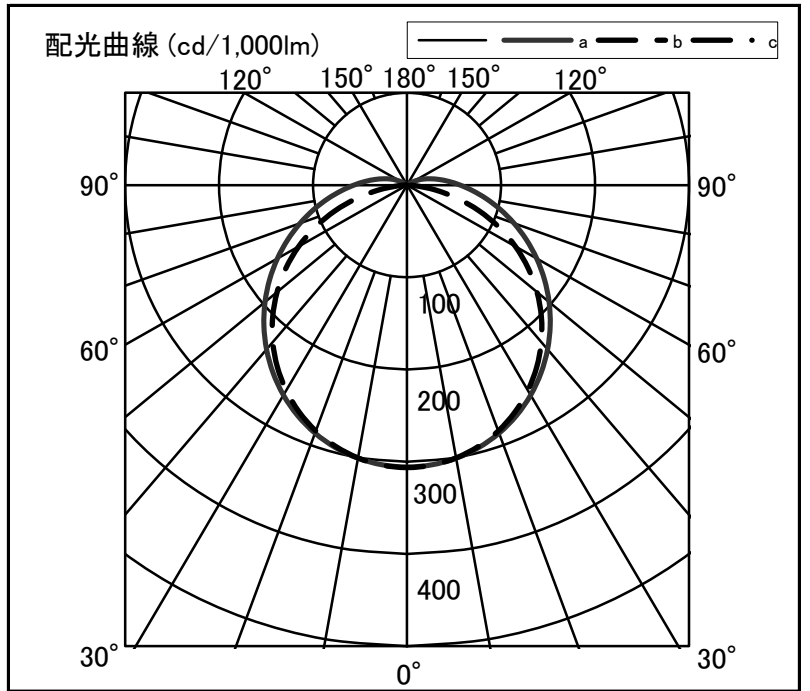


| | |
|------|----------|
| 器具光束 | 6,000 lm |
| 上方光束 | 278 lm |
| 下方光束 | 5,722 lm |
| 最大光度 | 1,838 cd |

| | |
|--------|------------------------|
| 光源 | LEDライトモジュール |
| 光源型名 | DL-M600L |
| 口金形式 | - |
| 色温度 | 3000K |
| 保守率 | 良:0.83, 中:0.81, 否:0.77 |
| 最大取付間隔 | a-a 1.4H b-b 1.5H |
| 備考 | |



| 角度 | 光度 [cd/1,000lm] | | |
|-----|-----------------|------|------|
| | A-A' | B-B' | C-C' |
| 0 | 306 | 306 | - |
| 10 | 301 | 300 | - |
| 20 | 286 | 284 | - |
| 30 | 263 | 257 | - |
| 40 | 233 | 222 | - |
| 50 | 197 | 180 | - |
| 60 | 159 | 133 | - |
| 70 | 121 | 81 | - |
| 80 | 86 | 31 | - |
| 90 | 56 | 1 | - |
| 100 | 35 | 0 | - |
| 110 | 19 | 0 | - |
| 120 | 6 | 0 | - |
| 130 | 0 | 0 | - |
| 140 | 0 | 0 | - |
| 150 | 0 | 0 | - |
| 160 | 0 | 0 | - |
| 170 | 0 | 0 | - |
| 180 | 0 | 0 | - |



| 反射率 | 天井 | | | | | | 70 | | | | | | 50 | | | | | | 30 | | 20 | | 0 | |
|------|-------------|-----|-----|-----|-----|----|-----|-----|-----|----|-----|----|-----|----|-----|----|----|----|----|----|----|---|---|--|
| | 壁 | | 80 | | 30 | | 70 | | 50 | | 30 | | 50 | | 30 | | 30 | | 10 | | 0 | | | |
| 床 | 30 | 10 | 30 | 10 | 30 | 10 | 30 | 10 | 30 | 10 | 30 | 10 | 30 | 10 | 30 | 10 | 30 | 10 | 10 | 0 | 10 | 0 | | |
| 室指数 | 照明率 (×0.01) | | | | | | | | | | | | | | | | | | | | | | | |
| 0.6 | 60 | 56 | 45 | 43 | 36 | 35 | 58 | 54 | 44 | 42 | 36 | 35 | 43 | 41 | 35 | 34 | 34 | 33 | 29 | 26 | | | | |
| 0.8 | 72 | 65 | 57 | 54 | 47 | 45 | 69 | 64 | 56 | 53 | 47 | 45 | 53 | 51 | 45 | 44 | 44 | 43 | 38 | 36 | | | | |
| 1.0 | 80 | 72 | 65 | 61 | 56 | 53 | 77 | 70 | 64 | 60 | 55 | 52 | 61 | 57 | 53 | 51 | 51 | 50 | 45 | 42 | | | | |
| 1.25 | 88 | 78 | 74 | 68 | 64 | 60 | 84 | 76 | 72 | 66 | 63 | 59 | 68 | 64 | 60 | 58 | 58 | 56 | 51 | 49 | | | | |
| 1.5 | 93 | 82 | 80 | 73 | 70 | 65 | 89 | 80 | 78 | 71 | 69 | 64 | 73 | 69 | 66 | 63 | 63 | 61 | 56 | 54 | | | | |
| 2.0 | 101 | 88 | 89 | 80 | 80 | 73 | 97 | 85 | 86 | 78 | 78 | 72 | 81 | 75 | 74 | 70 | 71 | 68 | 64 | 61 | | | | |
| 2.5 | 106 | 91 | 95 | 84 | 87 | 79 | 101 | 89 | 92 | 83 | 85 | 77 | 86 | 80 | 80 | 75 | 76 | 73 | 69 | 66 | | | | |
| 3.0 | 109 | 94 | 100 | 88 | 93 | 82 | 105 | 92 | 97 | 86 | 90 | 81 | 90 | 83 | 85 | 79 | 80 | 77 | 73 | 70 | | | | |
| 4.0 | 114 | 97 | 106 | 92 | 100 | 88 | 109 | 95 | 102 | 90 | 97 | 86 | 95 | 87 | 91 | 84 | 85 | 81 | 78 | 75 | | | | |
| 5.0 | 117 | 99 | 110 | 95 | 105 | 91 | 112 | 97 | 106 | 93 | 101 | 90 | 99 | 90 | 95 | 87 | 89 | 85 | 81 | 78 | | | | |
| 7.0 | 120 | 101 | 115 | 98 | 111 | 95 | 115 | 99 | 111 | 96 | 107 | 94 | 103 | 93 | 100 | 91 | 93 | 88 | 85 | 83 | | | | |
| 10 | 123 | 103 | 119 | 101 | 116 | 99 | 118 | 101 | 115 | 99 | 112 | 97 | 106 | 96 | 104 | 94 | 97 | 91 | 89 | 86 | | | | |