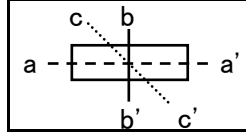
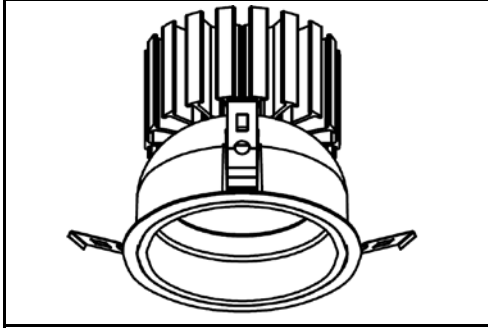
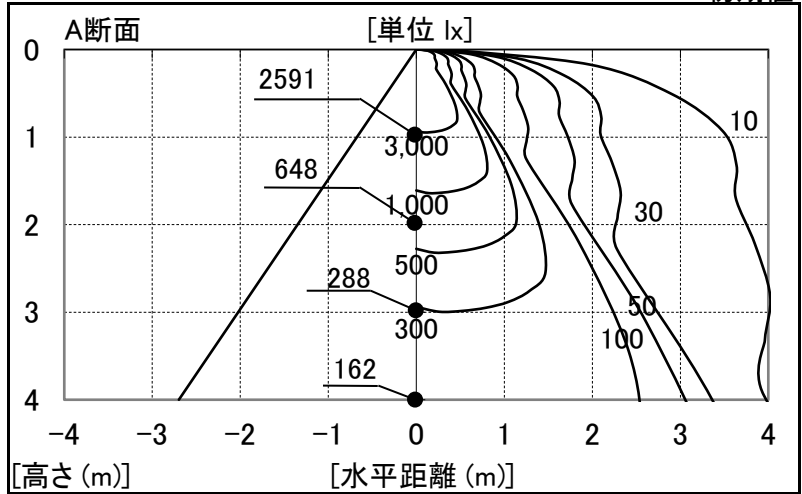


シャープ製LED照明器具 配光データシート 形名 DL-D065LW

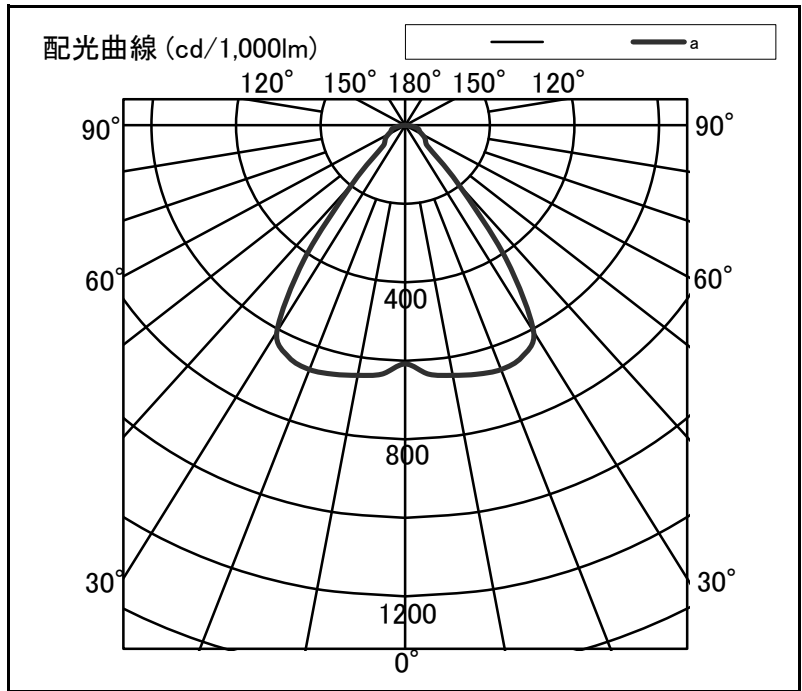


|      |          |
|------|----------|
| 器具光束 | 4,200 lm |
| 上方光束 | 0 lm     |
| 下方光束 | 4,200 lm |
| 最大光度 | 2,781 cd |
| 初期値  |          |

|        |                      |
|--------|----------------------|
| 光源     | LED                  |
| 形式     | ダウンライト               |
| 埋込穴径   | Φ150                 |
| 色温度    | 3000K                |
| 保守率    | 良:0.83 中:0.81 否:0.77 |
| 最大取付間隔 | a-a 1.4H             |
| 備考:    |                      |
| 適合電源   | DL-YP103,DL-YP068    |



| 角度  | 光度[cd/1,000lm] |      |      |
|-----|----------------|------|------|
|     | A-A'           | B-B' | C-C' |
| 0   | 608            | -    | -    |
| 10  | 647            | -    | -    |
| 20  | 662            | -    | -    |
| 30  | 607            | -    | -    |
| 40  | 194            | -    | -    |
| 50  | 63             | -    | -    |
| 60  | 46             | -    | -    |
| 70  | 35             | -    | -    |
| 80  | 20             | -    | -    |
| 90  | 0              | -    | -    |
| 100 | 0              | -    | -    |
| 110 | 0              | -    | -    |
| 120 | 0              | -    | -    |
| 130 | 0              | -    | -    |
| 140 | 0              | -    | -    |
| 150 | 0              | -    | -    |
| 160 | 0              | -    | -    |
| 170 | 0              | -    | -    |
| 180 | 0              | -    | -    |



| 反射率  | 天井         |     |     |     |     |     | 70  |     |     |     |     |     | 50  |     |     |     |     |    | 30 |    | 20 |   | 0  |   |
|------|------------|-----|-----|-----|-----|-----|-----|-----|-----|-----|-----|-----|-----|-----|-----|-----|-----|----|----|----|----|---|----|---|
|      | 壁          |     | 70  |     | 50  |     | 30  |     | 70  |     | 50  |     | 30  |     | 50  |     | 30  |    | 30 |    | 10 |   | 0  |   |
| 床    | 30         | 10  | 30  | 10  | 30  | 10  | 30  | 10  | 30  | 10  | 30  | 10  | 30  | 10  | 30  | 10  | 30  | 10 | 30 | 10 | 10 | 0 | 10 | 0 |
| 室指数  | 照明率(×0.01) |     |     |     |     |     |     |     |     |     |     |     |     |     |     |     |     |    |    |    |    |   |    |   |
| 0.6  | 82         | 75  | 71  | 67  | 64  | 62  | 80  | 74  | 70  | 67  | 64  | 62  | 69  | 66  | 63  | 62  | 62  | 61 | 58 | 57 |    |   |    |   |
| 0.8  | 91         | 83  | 81  | 76  | 74  | 71  | 89  | 82  | 80  | 75  | 73  | 70  | 78  | 74  | 72  | 70  | 71  | 69 | 66 | 65 |    |   |    |   |
| 1.0  | 98         | 88  | 87  | 81  | 80  | 76  | 95  | 87  | 86  | 81  | 80  | 76  | 84  | 79  | 78  | 75  | 77  | 75 | 72 | 70 |    |   |    |   |
| 1.25 | 103        | 92  | 94  | 86  | 87  | 81  | 101 | 91  | 92  | 85  | 86  | 81  | 89  | 84  | 84  | 80  | 82  | 79 | 76 | 75 |    |   |    |   |
| 1.5  | 107        | 94  | 98  | 89  | 91  | 85  | 104 | 93  | 96  | 88  | 90  | 84  | 93  | 87  | 88  | 83  | 85  | 82 | 80 | 78 |    |   |    |   |
| 2.0  | 112        | 98  | 105 | 93  | 98  | 90  | 109 | 97  | 102 | 93  | 97  | 89  | 98  | 91  | 93  | 88  | 90  | 87 | 84 | 83 |    |   |    |   |
| 2.5  | 116        | 100 | 109 | 96  | 103 | 93  | 112 | 99  | 106 | 95  | 101 | 92  | 101 | 93  | 97  | 91  | 93  | 90 | 87 | 86 |    |   |    |   |
| 3.0  | 118        | 101 | 112 | 98  | 107 | 95  | 114 | 100 | 109 | 97  | 104 | 95  | 104 | 95  | 100 | 93  | 96  | 92 | 89 | 88 |    |   |    |   |
| 4.0  | 121        | 103 | 116 | 101 | 112 | 98  | 117 | 102 | 113 | 100 | 109 | 97  | 107 | 98  | 104 | 96  | 99  | 94 | 92 | 91 |    |   |    |   |
| 5.0  | 123        | 104 | 119 | 102 | 115 | 100 | 119 | 103 | 115 | 101 | 112 | 99  | 109 | 99  | 106 | 98  | 101 | 96 | 94 | 92 |    |   |    |   |
| 7.0  | 126        | 106 | 122 | 104 | 119 | 103 | 121 | 104 | 118 | 103 | 116 | 102 | 111 | 101 | 109 | 100 | 103 | 98 | 96 | 94 |    |   |    |   |
| 10   | 127        | 107 | 125 | 105 | 123 | 104 | 123 | 105 | 121 | 104 | 119 | 103 | 113 | 102 | 112 | 101 | 105 | 99 | 98 | 96 |    |   |    |   |