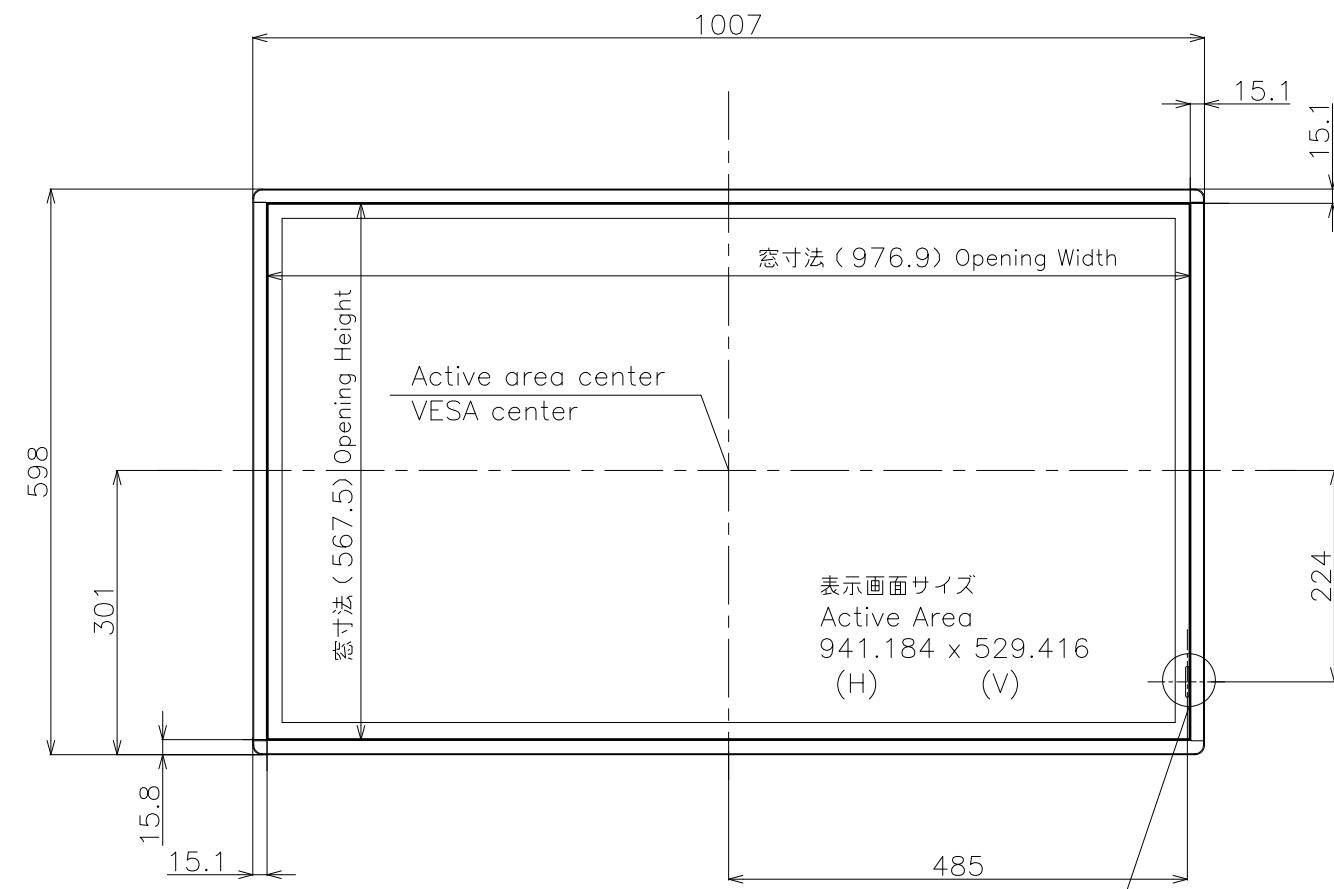


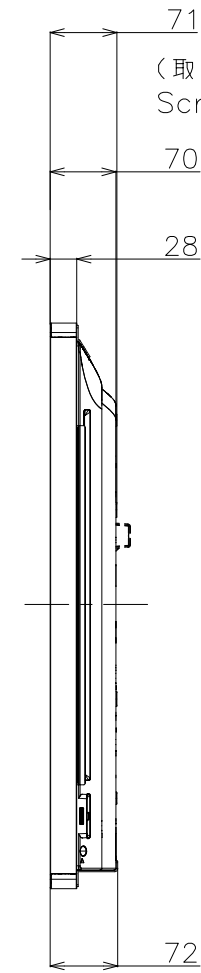
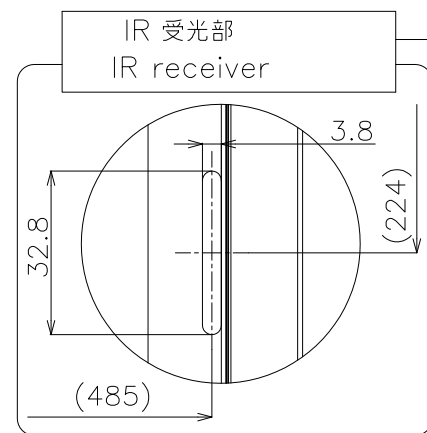
PN-HW431T

寸法図

Dimensional Drawing

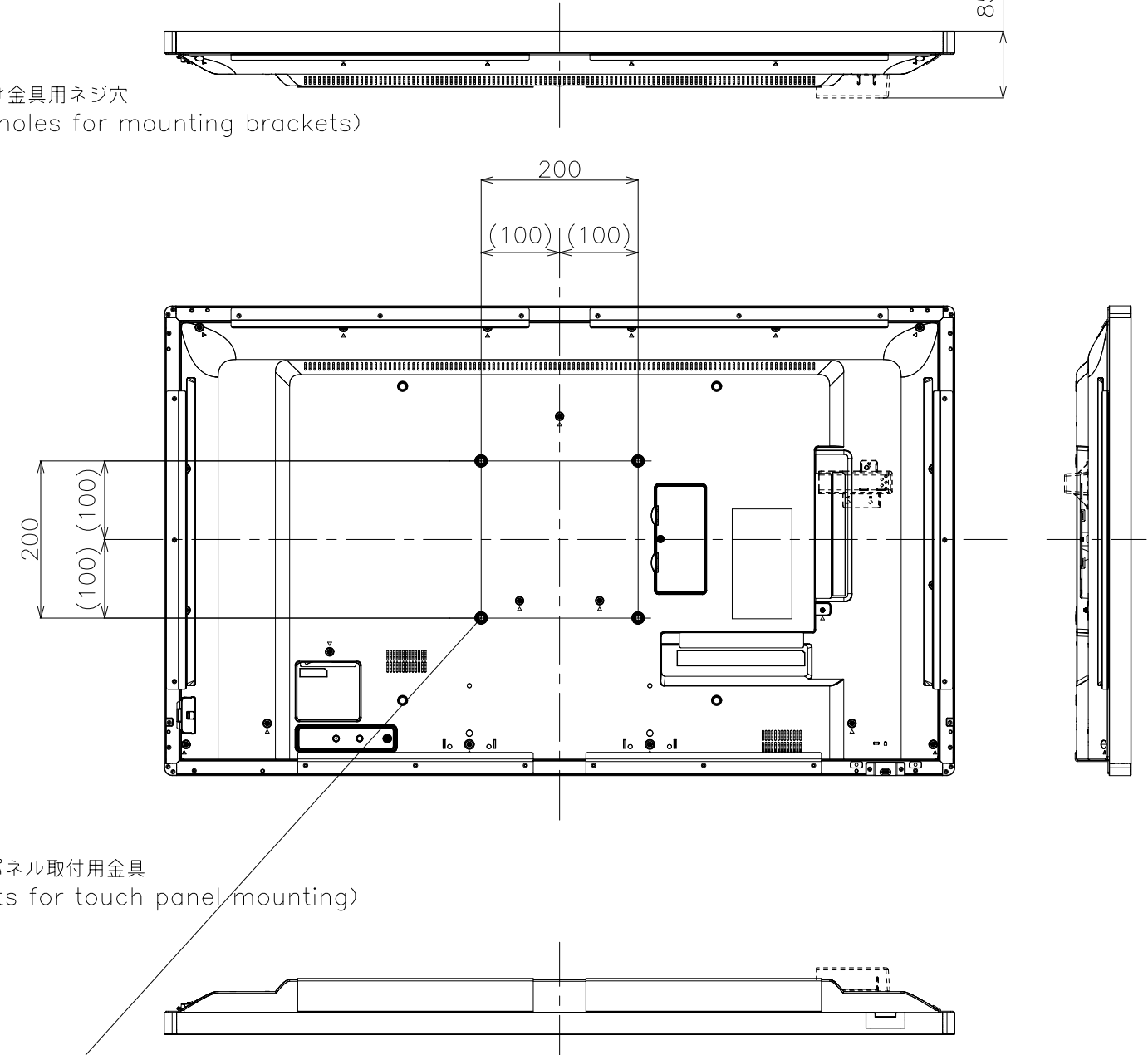


縦置き設置時 上方向
In portrait installation: this side up

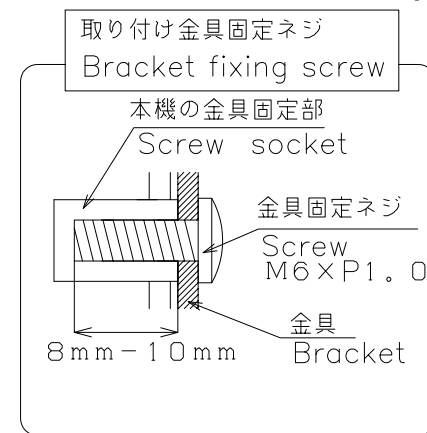


(取り付け金具用ネジ穴
Screw holes for mounting brackets)

(タッチパネル取付用金具
Brackets for touch panel mounting)



4- 取り付け金具用ネジ穴
4- Screw holes for mounting brackets



| | |
|--------|---------|
| 質量 | 16 kg |
| Weight | Approx. |

単位 : mm
Unit : mm